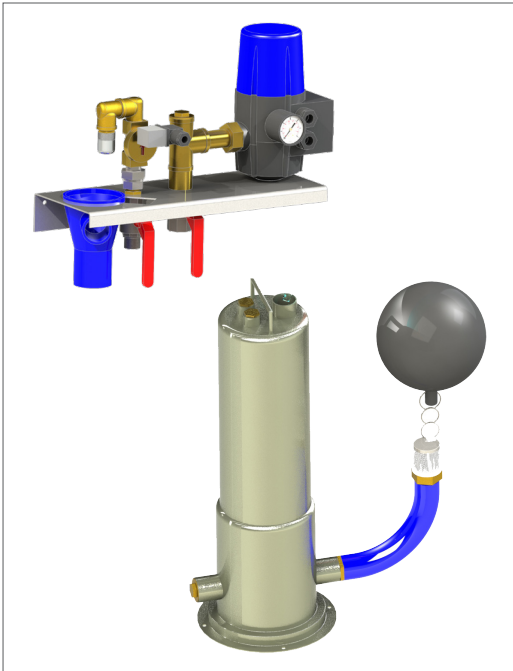


DBS SYSTEM WITH INNER PUMP

Rainwater system with pressure immersion pump and drinking water refill system



rethinking water



PRODUCT DESCRIPTION

The DBS drinking water refill system with pressure immersion pump is a complete solution for the use of rainwater in single-family homes. The drinking water refill is in accordance with EN1717 type AA. The system consists of a pressure submersible pump (5-30 or 5-60) including a floating suction hose, automatic pressure control and pressure gauge, a wall bracket and a drinking water refill set.

The stainless steel console is equipped with a 1/2 "solenoid valve and a funnel with free side exit. Via the solenoid valve, the rainwater tank is partially refilled with drinking water by controlling a float. The stainless steel console is suitable for wall mounting.

SCOPE

The system can be used for the use of filtered rainwater for flushing toilets, connecting a washing machine and an outdoor tap. This system is suitable for continuous use.

TECHNICAL DATA

Height in mm:	310
Width in mm:	365
Depth in mm:	140
Drinking water connection:	1/2"
Aansluiting pomp:	1"
Pressure line:	3/4"
Bijvultrechter in mm:	Ø50
Gewicht console: in kg:	5

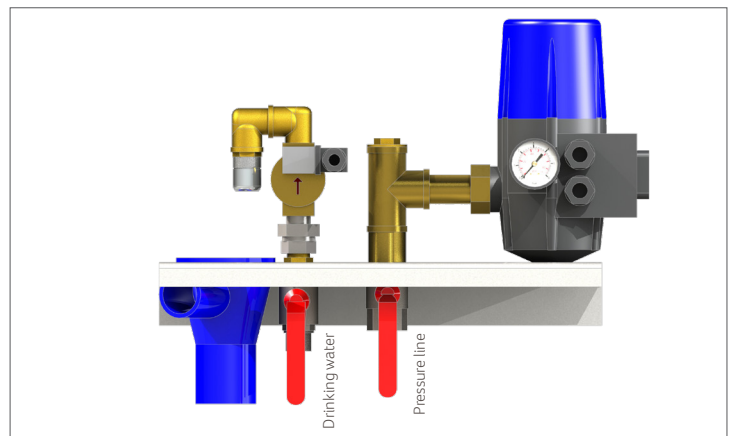
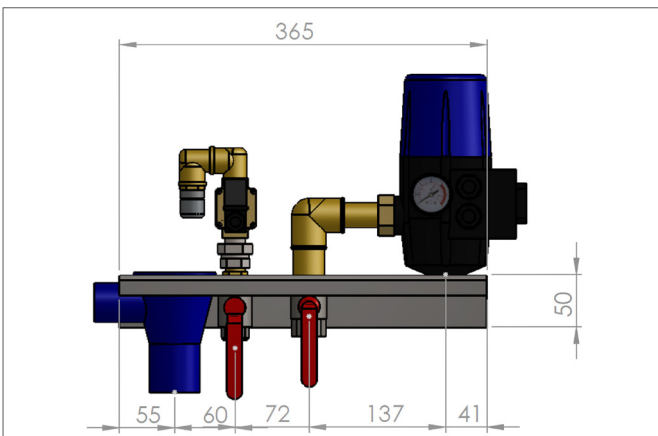
TECHNICAL SPECIFICATIONS

	5-30	5-60
Voltage in V:	230	230
Power in Watt:	550	750
Debiet in liter/min:	65	85
Max. opvoerHeight in m:	34	58
Leeggewicht in kg:	13	14
Aantal waaiers:	3	5
Condensator in µF:	20	25

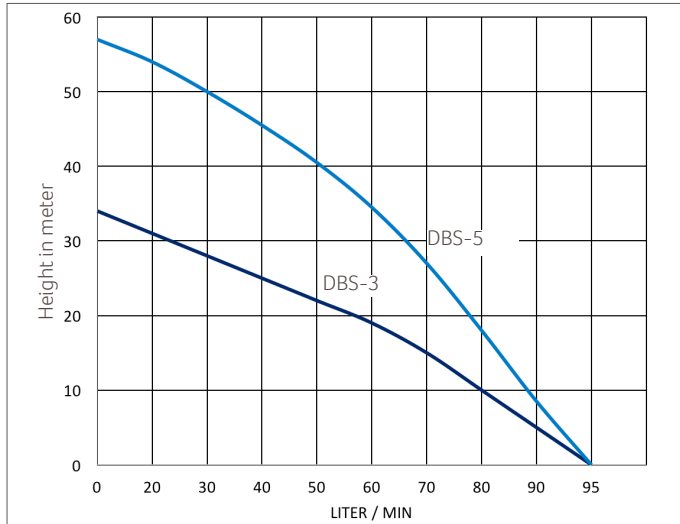
MATERIAL

Name	Material
Console:	RVS
Suction basket and hose clamps:	RVS
Pump housing:	RVS (304)
Rotor:	RVS (410)
Leiwiel:	PPO (noryl)
Solenoid valve:	Messing
Tracker:	PE
Electrical cable pump:	4 aderige kabel 1,00 mm ² H07Rn8F
Double seal silicon carbone and aluminum oxide / ceramic in oil filled chamber	

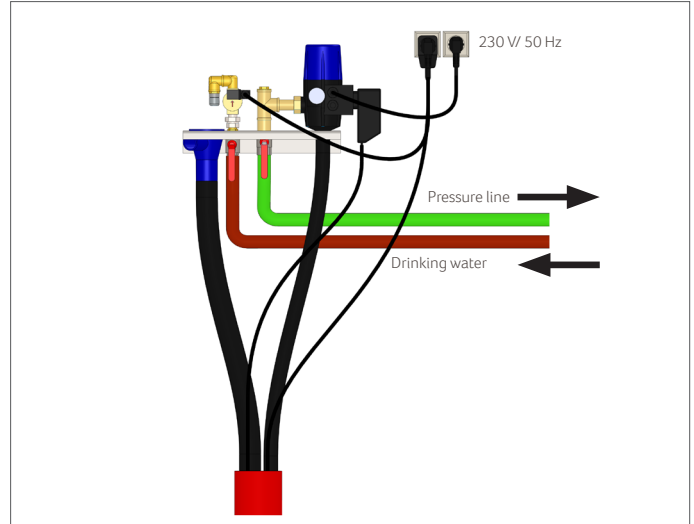
TECHNICAL DRAWINGS



PUMP CHARACTERISTIC



CONNECTION DIAGRAM



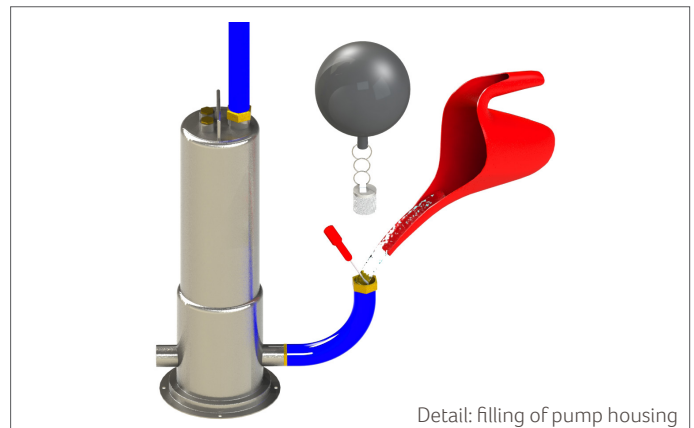
OPTIONS

DBS Submersible connection set

Complete connection set for the installation of the submersible pump in the rainwater well or tank. Consists of: flexible pressure hose 2 m, brass grommet 1", brass elbow 1" with tank penetration, PE coupling 1 "bi and bu.

Submersible pump kit

Stainless steel wire and mounting parts to be able to attach the submersible pump to the top of the rainwater well.



SCOPE OF DELIVERY

Combipress submersible pump 5-30 / Combipress submersible pump 5-60, floating suction hose with 60 cm hose, flexible stainless steel hoses for connection of the drinking water 1/2 "and Pressure line 3/4", float with 20 meter cable and cable clamp for tank mounting, through coupling plug , wall console with pressure control, solenoid valve and funnel including shut-off valves, PE compression fitting 25 mm - 1 "BI and installation instructions

ORDERING INFORMATION

Art nr	NAAM	PG
402201	DBS-3 system with inner pump	1
402292	DBS-5 system with inner pump	1
402260	DBS Submersible connection set	1
402253	Submersible pump kit	1

